

Programmable Deluxe Thermostat

F06-NX Series

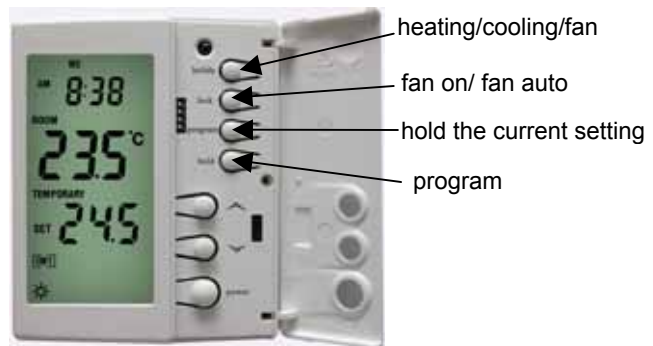
For Multistage Cool/Heat AC System with a Heat Pump

CE Approval

Features

- ◆ Deluxe design for control multistage AC systems with a heat pump. It can control up to 2 stages cooling /2 stages heating with aux. a heater.
- ◆ Provides you a more comfortable and convenient living environment.
- ◆ Program a week 7 days up to four time periods and temperature set points each day to complement your lifestyle and makes your room ambiance comfortable.
- ◆ Programs are permanently held in non-volatile memory in the event of a power failure.
- ◆ Attractive turn-cover design, most frequently used keys are located on the face for quick and easy access to information. Program keys are located on the interior to eliminate accidental setting changes.
- ◆ Large LCD display with many messages for quick and easy readability and operation. Such as measurement and setting temperature, fan and compressor work status, clock and program etc.
- ◆ Automatic compressor short cycle protection extends the life of the major equipment
- ◆ Auto or manual fan operation.
- ◆ Adjusted 1st and 2nd stage temperature differential maintains optimal customer comfort.
- ◆ Auto or manual heat/cool changeover.
- ◆ Constant temperature allows continuous override the program
- ◆ Temporary temperature override
- ◆ Temperature either °F or °C display
- ◆ Unique lockable function makes all keys locked to eliminate accidental operation.
- ◆ Low temperature protection
- ◆ Infrared remote control optional
- ◆ Backlight of LCD optional
- ◆ RS485 Communication interface optional

Buttons and LCD



Specifications

Power supply	24 Volt AC±20% 50/60HZ
Power consume	≤ 1W

Electrical rating	1 amp maximum load per terminal
Sensor	NTC 5K @25
Temperature degree	Celsius or Fahrenheit
Temperature control range (for heat/ cool)	5~35 (41~95)
Accuracy	±0.5 (±1)@25
Temperature differential	Two temperature differentials setting for each cooling/heating stage
Stages	Up to 2 stages cooling/ 2 stages heating
Programmability	Program 7 days up to four time periods and temperature set points for each day
Cool/heat Changeover	Auto changeover or Manual switch selectable by end users
Keys	On the surface: power/ increase/ decrease key Inside: programming keys
Net weight	300g
Dimensions	110mm(L)×90mm(W)×25mm(H)
Mounting standard	Mounting on the wall, 2"×4"or 65mm×65mm box
Housing	PC/ABS plastic material with IP30 protection class
Approval	CE

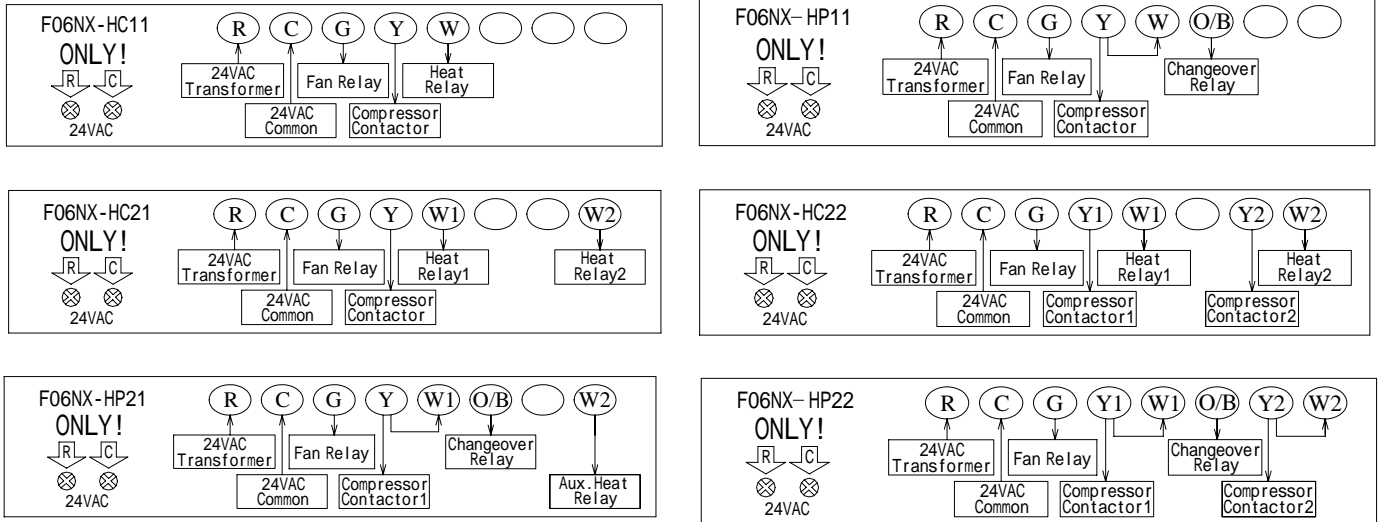
Model

MODEL	DESCRIPTION
F06NX-HP11	For one stage heating/ one stage cooling with a heat pump, It also can be used as: F06NX-HC11 (one stage heating/ one stage cooling) F06NX-HC10 (one stage heating only) F06NX-HC01 (one stage cooling only)
F06NXC-HP11	F06NX-HP11 with RS485 communication interface
F06NX-HP22	For two stages heating/ two stages cooling with a heat pump. It also can be used as: F06NX-HC22 (two stages heating/ two stages cooling) F06NX-HC12 (one stage heating/two stages cooling) F06NX-HC21 (two stages heating/one stage cooling)
F06NXC-HP22	F06NX-HP22 with RS485 communication interface
OPTIONS	
Backlight LCD -EL	Blue backlight of LCD
Remote Control-R	Infrared remote control

Shipping Information

Indiv. Ctn. Dim	135mm×95mm×55mm
Master Ctn. Qty	40
Master Ctn. Dim	44cm(L)X32cm(W)X32cm(H)
Master Ctn. Wt.	18KG

Wiring Diagrams



Mounting

