

# Smart Hygrostat with Mould-Proof

P/N: F2000LB-Hygropro (Wall Mounting Type)  
 P/N: F2000LB-Hygropro-PnP (Plug and Play Type)

## □ Features

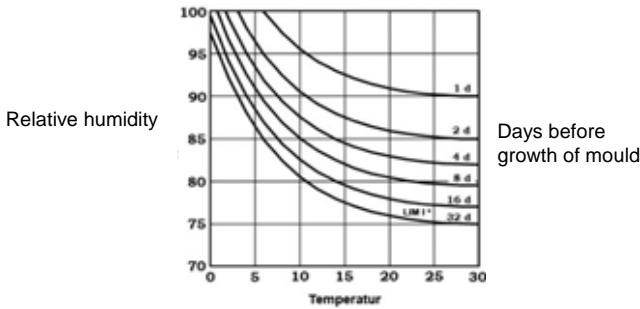
### ◆ Especial Digital Hygrostat

Detect and LCD display room RH% and temp, 1 on/off output to control a dehumidifier. Especially designed for mould-proof humidity control.

### ◆ Smart Control with Two Modes Selectable

Mode A: Mould-proof auto humidity control.

As you can see from the following diagram which indicates the relationship between a certain RH and the days before growth of mould at a certain temperature degree. The smart hygrostat is designed following the below figure to make the days before growth of mould up to be 32 days. If you choose to use Mode A, the smart hygrostat will supply 1x on/off output automatically to the dehumidifier to maintain comfortable air quality with the right humidity level.



Mode B: Manual humidity level setting

If you don't want to use auto humidity control (model A) but to set humidity level by yourself, then just press **switch** button to select model B and then set your desired humidity level.

### ◆ Wall Mounting Type and Plug-and-Play Type Selectable with a Large Outlet Load

Besides the traditional wall mounting type, convenient plug-and-play type enables direct control the dehumidifier. The outlet current of both types are designed up to 8Amp and to control a dehumidifier with its power as high as 1000w.

### ◆ LCD display

LCD displays environment temperature, humidity, humidity set-point, and working status of the controlled dehumidifier, etc.

### ◆ Setup Keeping On

All setup can be kept on when power failure.

### ◆ Lockable

Lock function can lock all buttons except **power** to avoid mistaken operation.

### ◆ LCD Blue backlight (option)

### ◆ Remote control (option)

Control the smart hygrostat within 8 meters with an handheld remote control.

## □ Appearance and Display

Wall mounting type

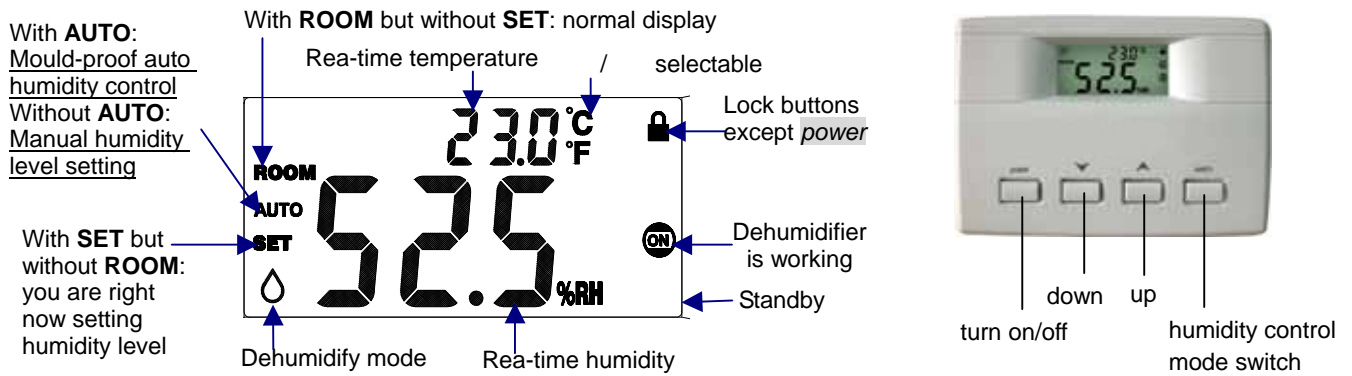


Plug and Play type



To power supply of 220VAC/240VAC

The power socket of 220/240VAC for controlled dehumidifier's

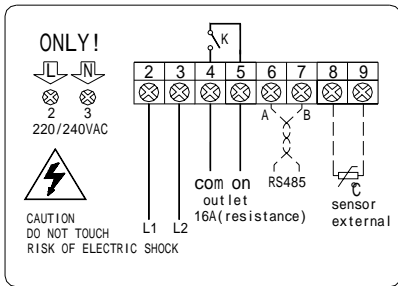
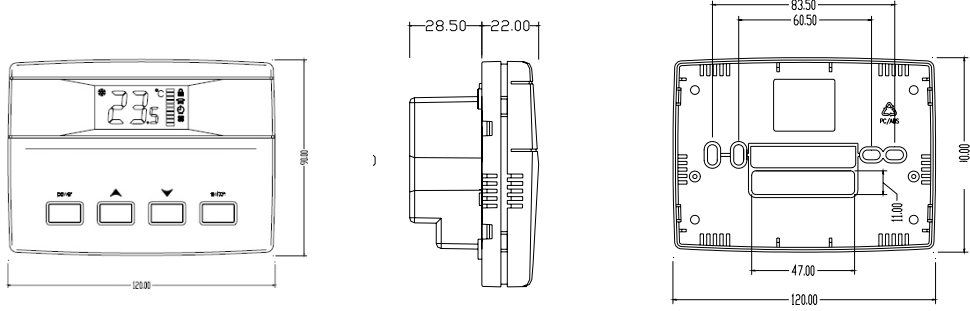


## □ Specifications

Model #	F2000LB-HygroPro (wall mounting type) F2000LB-HygroPro-PnP (Plug and Play type)
Power Supply	220VAC/240VAC, 50/60HZ
Power supply of the controlled dehumidifier	220VAC/240VAC, 50/60HZ
Rated load	1000W (Inductive load)
Sensors	Temperature sensor: NTC Humidity sensor: Capacitive sensor
Temperature Measurement Range	0~35 (32 ~95 )
Temperature Measurement Accuracy	± 0.5 ( ± 1 ) @25
Temperature Display Resolution	± 0.5 ( ± 1 )
Humidity Measurement Range	5~99%RH
Humidity Setting Range	10~95%RH
Humidity Measurement Accuracy	± 3%RH (@25 )
Humidity Display Resolution	1%RH
Display	LCD
Standard of The Power Supply Plug (For plug and play type)	European standard or American standard, selectable when you place the order
Standard of The Socket to Controlled Dehumidifier (For plug and play type)	European standard or American standard, selectable when you place the order
Length of The Power Supply Wire (For plug and play type)	1.5m
Weight	260g (for wall mounting type) 800g (for plug and play type)
Max. Exterior Dimensions	120mm(L) × 90mm(W) × 22mm(H) (For wall mounting type) 197mm(L) × 90mm(W) × 79mm(H) (For plug and play type)
Mounting Standard	Wall mounting in the wire box of 2" × 4" or 65mm × 65mm (For wall mounting type) Plug and Play, can be fixed on the wall surface (For plug and play type)

□ Dimensions and Electronic Wiring

F2000LB-HygroPro



F2000LB-HygroPro-PnP

